

ATLAS KOMPAKT

Excavator AC 18UF

Operating Weight	1.88 t (rubber track)
Engine power	13.4 kW / 2200 rpm
Engine brand	YANMAR
Standard Bucket Capacity	0.04 m ³
Max. Digging Depth	2.20 m



Parameter

 www.atlas-kompakt.com

ENGINE

Brand	Yanmar
Model	3TNV80F - SSSU
Type	3-cylinder water cooled indirect injection
Displacement	1267 cm ³
Power	13.4 kW / 2200 rpm

ELECTRIC SYSTEM

Nominal Voltage	12 V
Batteries	63 Ah
Alternator	12 V - 40 A
Starter	12 V - 1.4 kW

DRIVE

Max. Travel Speed (2ns/1st)	3.5/2.0 km/h
Gradeability	30°
Max. Traction	16.7 kN

UNDERCARRIAGE

Undercarriage Width	990/1320 mm
Shoe Width	230 mm
Length to Center of Rollers	1210 mm
Track Length	1538 mm
Track Height	352 mm

BULLDOZING BOARD

Independent Moving, Controlled By The Gear Shift Lever	
Length X Width	1320x267 mm
Max. Lifting Height	216 mm
Max. Cutting Depth	270 mm

DIMENSIONS

Counterweight Clearance	436 mm
Tail Swing Radius	680 mm
Shipping Length	3582 mm
Shipping Width	980 mm
Shipping Height	2415 mm

WORKING RANGES

Max. Cutting Height	3460 mm
Max. Loading Height	2430 mm
Max. Digging Depth	2210 mm
Max. Vertical Wall Digging Depth	1590 mm
Max. Digging Reach	3940 mm
Max. Reach at Ground Level	3850 mm
Bucket Digging Force	22.7 kN
Stick Digging Force	11.24 kN
Ground Pressure	30.3 kPa
Swing Speed	10 rpm

CAPACITY

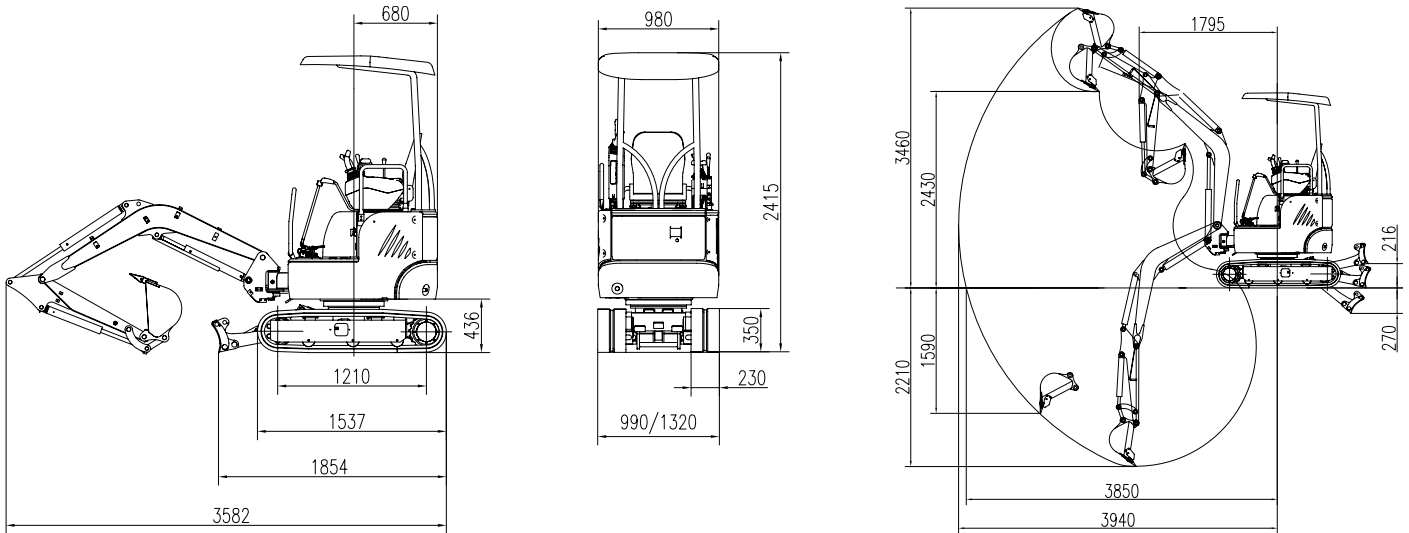
Fuel Tank	24.6 L
Hydraulic Oil Tank	18.6 L

HYDRAULIC SYSTEM

Main Pumps	
Type	2 variable pumps, 1 gear pump, 1 pilot gear pump
Displacement	2X21+15 L/min
Working Pressure	20/18 MPa

Working Ranges

Excavator AC 18UF



Load Capacity

B (m)	A (m)		3.0 m		2.5 m		2.0 m	
	MAX		Front (kg)	Side (kg)	Front (kg)	Side (kg)	Front (kg)	Side (kg)
2.5	220.10*	224.90	205.90*	215.40	—	—	—	—
2.0	220.10*	224.90	220.10*	224.90	244.10*	244.10	—	—
1.5	239.30*	234.50	244.10*	239.30	263.20*	258.40	335.00*	335.00
1.0	229.70*	234.50	244.10*	248.90	272.80*	296.70	368.50*	406.80
0.5	234.50*	239.30	272.80*	272.80	349.40*	349.40	473.80*	464.20
0.0	258.40*	258.40	268.00*	277.60	325.40*	354.10	449.90*	469.00
-0.5	263.20*	258.40	263.20*	258.40	325.40*	315.90	469.00*	449.90
-1.0	253.60*	253.60	—	—	272.80*	263.20	368.50*	358.90

Notes:

- 1) Load with * is limited by hydraulic capacity and based on ISO 10567. Rated loads do not exceed 87% of hydraulic capacity.
- 2) Load without * is limited by tipping load and based on ISO 10567. Rated loads do not exceed 75% of tipping load.

