

# ATLAS KOMPAKT

## Excavator AC 08B

Operating Weight	1.01 t (rubber track)
Engine power	7.2 kW /2400 rpm
Engine brand	YANMAR
Standard Bucket Capacity	0.022 m <sup>3</sup>
Max. Digging Depth	1.82 m



### Parameter

 [www.atlas-kompakt.com](http://www.atlas-kompakt.com)

#### ENGINE

Brand	Yanmar
Model	2TNV70-PSU
Type	2-cylinder water-cooled indirect injection
Displacement	0.57 L
Power	7.2 kW/2400 rpm

#### ELECTRIC SYSTEM

Nominal Voltage	12 V
Batteries	36 Ah
Alternator	12 V - 40 A
Starter	12 V - 1.0 kW

#### DRIVE

Max. Travel Speed (2ns/1st)	2.9/1.5 km/h
Gradeability	30°
Max. Traction	9.4 kN

#### UNDERCARRIAGE

Undercarriage Width	750 / 1000 mm
Shoe Width	180 mm
Length to Center of Rollers	975 mm
Track Length	1299 mm
Track Height	330 mm

#### BULLDOZING BOARD

Independent Moving, Controlled By The Gear Shift Lever	
Length X Width	1000 x 197 mm
Max. Lifting Height	225 mm
Max. Cutting Depth	225 mm

#### DIMENSIONS

Counterweight Clearance	418.5 mm
Tail Swing Radius	750 mm
Shipping Length	2640 mm
Shipping Width	740 mm
Shipping Height	2250 mm

#### WORKING RANGES

Max. Cutting Height	3085 mm
Max. Loading Height	2305 mm
Max. Digging Depth	1825 mm
Max. Vertical Wall Digging Depth	1440 mm
Max. Digging Reach	3180 mm
Max. Reach at Ground Level	3085 mm
Bucket Digging Force	9.4 kN
Stick Digging Force	5.8 kN
Ground Pressure	24.5 kPa
Swing Speed	8.2 rpm

#### CAPACITY

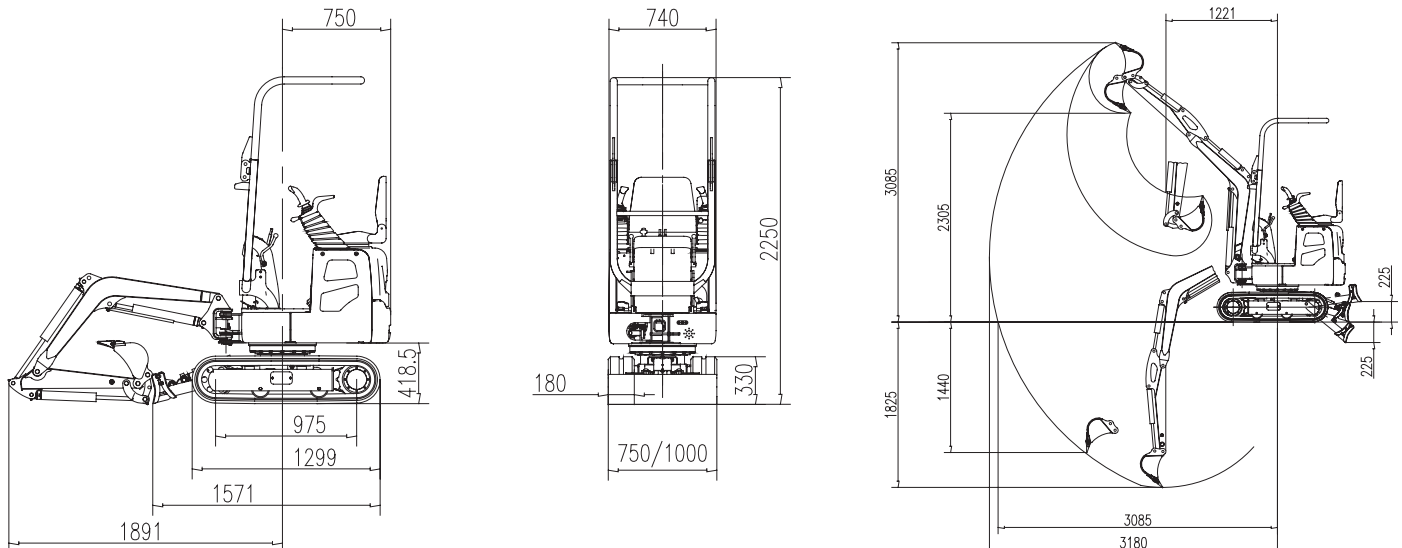
Fuel Tank	10 L
Hydraulic Oil Tank	9.5 L

#### HYDRAULIC SYSTEM

Main Pumps	
Type	3 gear pumps
Displacement	3 X 9.6 L/min
Working Pressure	2 X 16 MPa

## Working Ranges

# Excavator AC 08B



## Load Capacity

A (m)	MAX		2.0 m		1.5 m		1.0 m	
B (m)	Front (kg)	Side (kg)	Front (kg)	Side (kg)	Front (kg)	Side (kg)	Front (kg)	Side (kg)
2.0	119.60*	86.60	129.20*	107.30	—	—	—	—
1.5	148.40*	66.00	177.10*	99.00	191.40*	169.20	—	—
1.0	157.90*	61.90	100.50*	94.90	167.50*	148.50	416.40*	264.00
0.5	157.90*	61.90	172.30*	86.60	291.90*	132.00	488.20*	227.00
0.0	196.20*	70.10	224.90*	86.60	349.40*	136.20	445.10*	202.20
-0.5	186.60*	74.30	224.90*	82.50	330.20*	123.80	392.40*	177.40
-1.0	205.80*	127.90	—	—	224.90*	136.20	287.10*	243.40

## Notes:

- 1) Load with \* is limited by hydraulic capacity and based on ISO 10567. Rated loads do not exceed 87% of hydraulic capacity.
- 2) Load without \* is limited by tipping load and based on ISO 10567. Rated loads do not exceed 75% of tipping load.

